

Cooker hob S4000 Induction con Power Control



Induction Hobs

Code: 7330 241



DETAILS

Coloring Black

Edge/Installation Type Bevelled Edge - for flush-mount or over-mount installation

Material Ceramic glass

Dimensions 840 x 350 mm

Base size 90cm

Heating element Three zones

Built-in hole [View technical data sheet](#)

Width 84 cm

Total power 6.600** W

Left \varnothing 240 mm - 2.200 (3.000)* W

Centre \varnothing 145 mm - 1.200 (1.600)* W

Right \varnothing 210 mm - 1.500 (2.000)* W

Power settings 9 power settings per zone + Powerboost

Safety Safety equipment

Type Induction Hob

Type of commands Touch Control

Notes: ** With the PowerControl function, the maximum power can be set in users at the following values: 2,800 W, 3,500 W, 6,000 W, 6,600 W

Notes: * Powerboost

FEATURES

Powerboost Booster function provides increased power to the selected plate. In particular, when the Booster is activated, the plate works for ten minutes at a very high power that allows to heat quickly large quantities of water.

Pot detector All induction cooker hobs detect the pot resting on them, but they also calculate the area they cover. This system allows the energy to be used even more efficiently. Moreover, the plates switch off automatically when the pot is removed.

End-of-cooking programming All operations are programmed by means of the touch-control on the glass itself. Each cooking plate is capable of independent programming, and thus the possibility to set different cooking times.

Slider commands

The Slider control allows for extremely quick temperature setting: with a light touch of the finger you may select the desired power level on the TOUCH display.

Pause

Useful function that allows you to distract your attention from cooking, interrupting and restoring the settings immediately.

Smart fan system

Correct ventilation is essential for the induction hob to function in the best possible way. The Foster system automatically regulates the amount of ventilation to suit the temperatures reached.

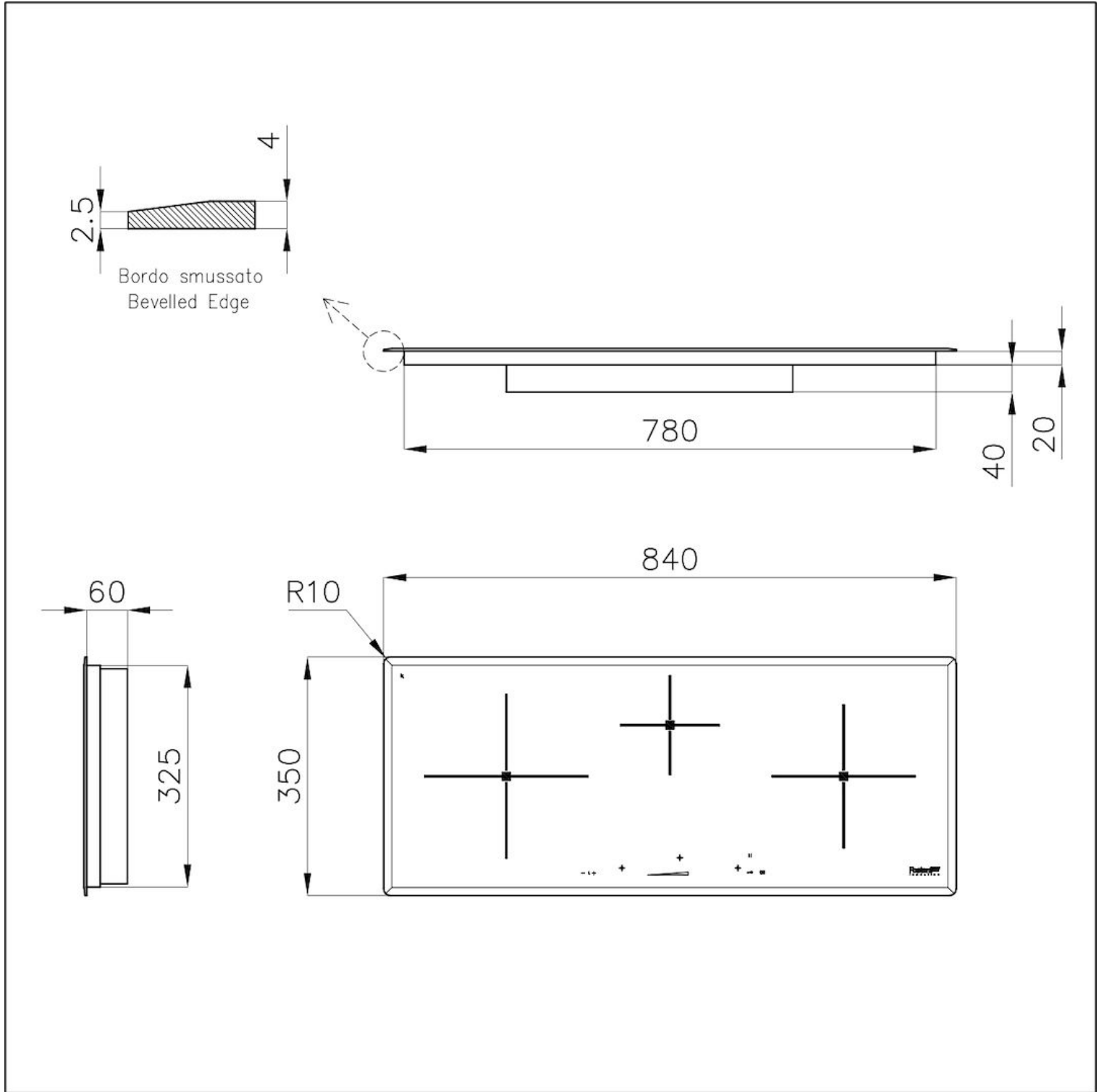
Safety

All electric cooker hobs feature the most modern and sophisticated safety protections: Centralised power-off function; Child-proof safety lock; Residual heat warning lights. Induction models feature the following functions: Safety System that turn off the hob in the absence of the pot; Overflow detector that automatically turns off the plate in case of liquid overflow; Automatic deactivation to prevent accidents caused by forgetfulness.

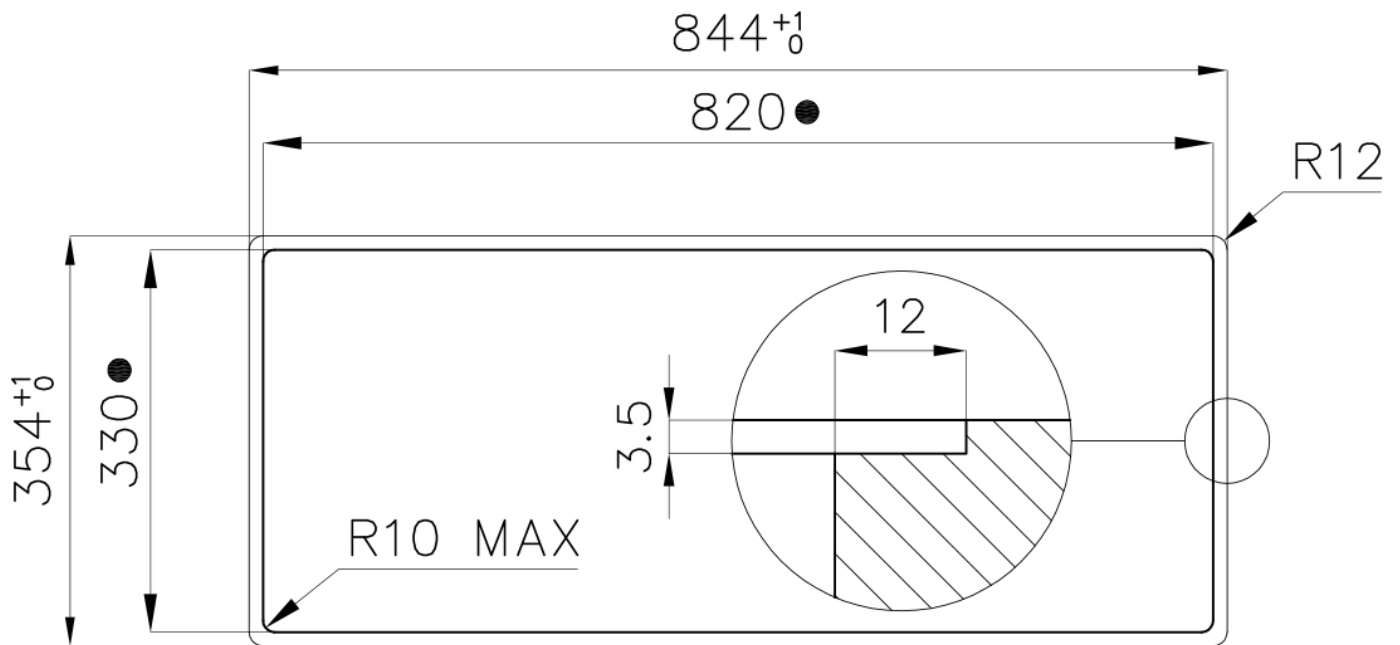
Power control function

PowerControl function allows the use of induction technology also in case of household maximum power as low as 3 kW. The maximum power can indeed be self-limited to the desired level to a minimum of 2.8 kW. Once the maximum power is set, we can forget about the absorbed energy because Foster induction hob will give us a warning about possible limitations, allowing to choose how to allocate the available energy. The hob can be easily reprogrammed at any time to modify or remove the power limit.

TECHNICAL DATA



Cut out size – Dimensioni per foratura top



- Built-in cut out for FTS – Foratura per installazione FTS

RECOMMENDED PAIRINGS



Hood Ghost 90 Filotop
2451 090